

The  
Core Monster<sup>®</sup>  
from  
Ohio Blow Pipe

---

High output core  
shredder processes  
cores in less than  
5 seconds.

*OHIO BLOW PIPE*<sup>®</sup>

**THE CORE MONSTER**



**Devours Cores**



# Storage, Disposal, Material Handling Issues

**OHIO BLOW PIPE**

# Core Monster in Action




*OHIO BLOW PIPE*



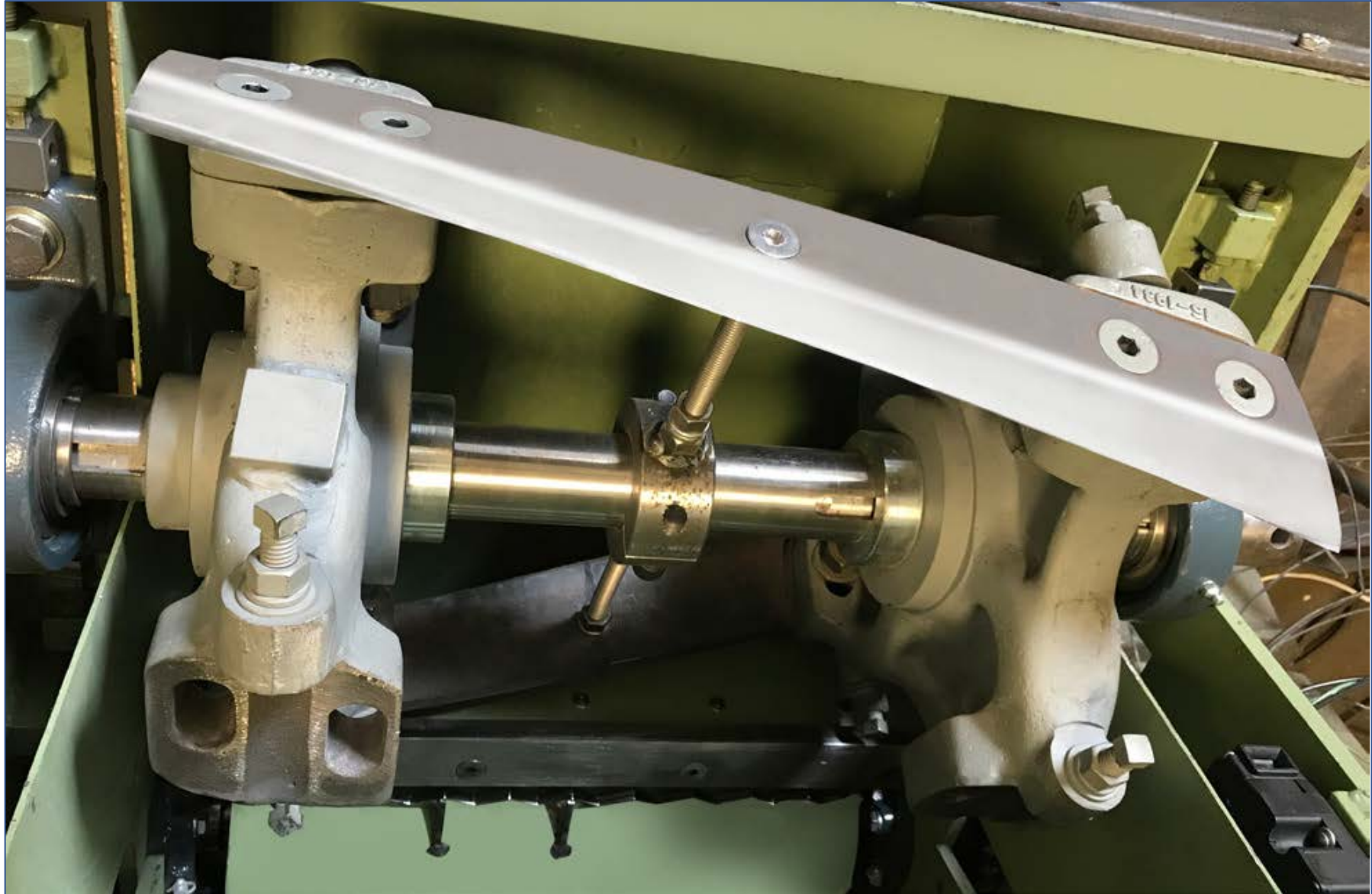
Crushing and Conditioning Cores to be  
Baled

**OHIO BLOW PIPE**



Turn your cores  
into bales,  
instead of trash

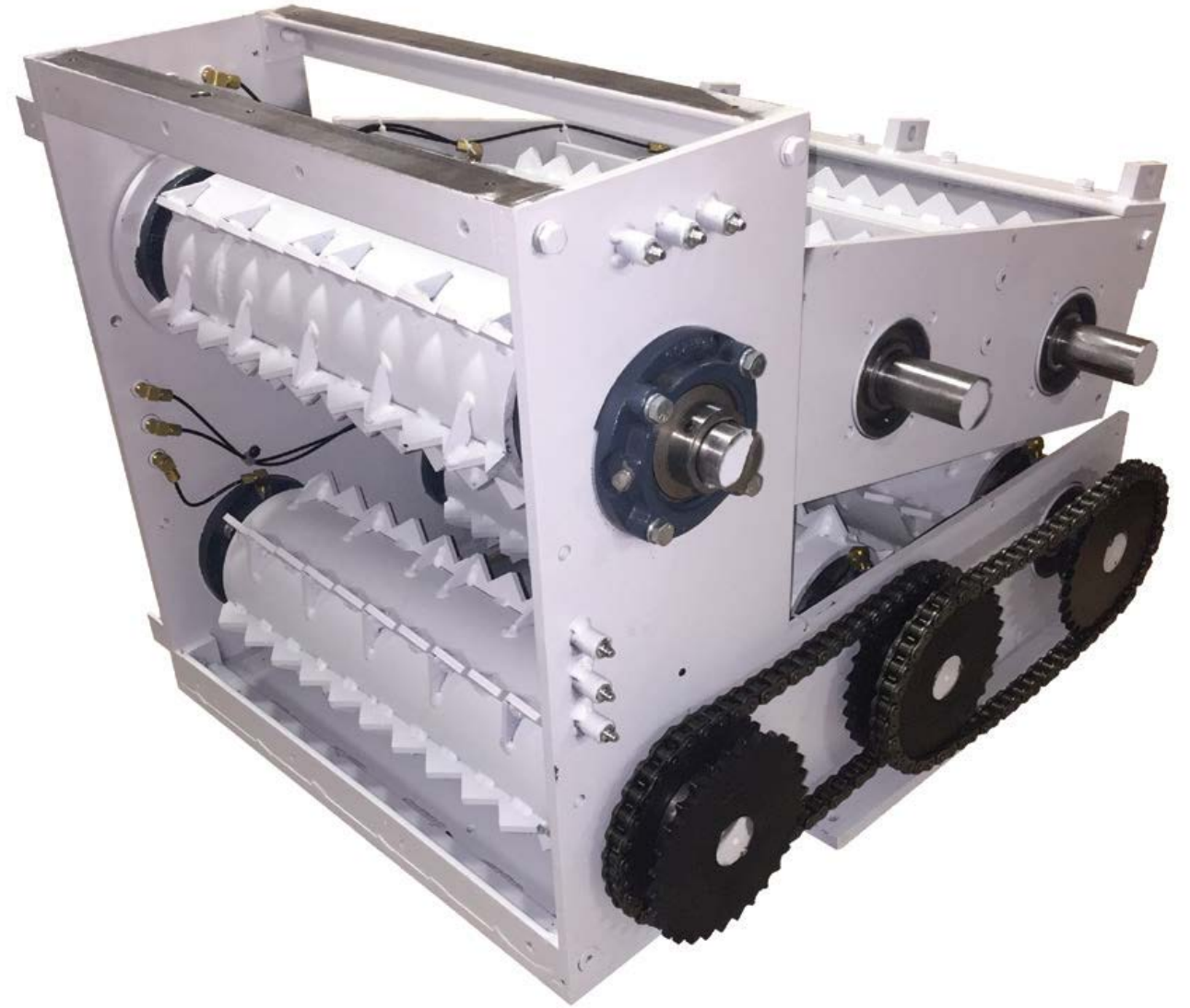
**OHIO BLOW PIPE**



*OHIO BLOW PIPE*

Patent-  
pending Core  
crushing  
infeed

---



***OHIO BLOW PIPE***



Installed with Automated Switch Valve Coupled with Existing Shredder

**OHIO BLOW PIPE**



# Go No Go - Allows Up to 5 1/2" Cores



**OHIO BLOW PIPE**

Attached  
Control Panel  
with LOTO  
and Multiple  
E-Stops



***OHIO BLOW PIPE***

Discharge Hood  
integrated with  
a smart  
proximity switch



*OHIO BLOW PIPE*

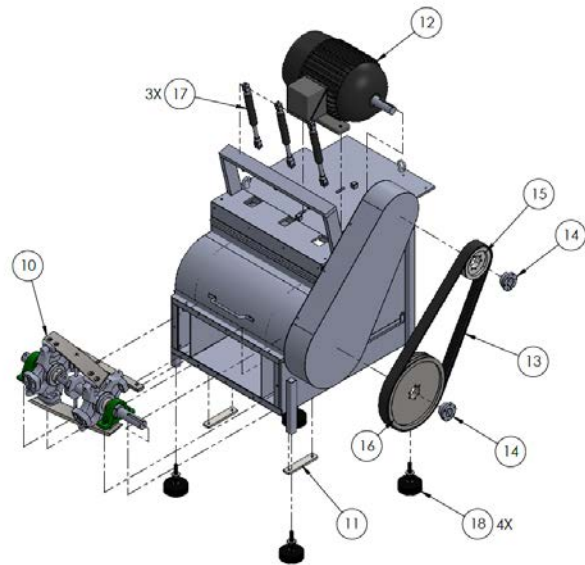
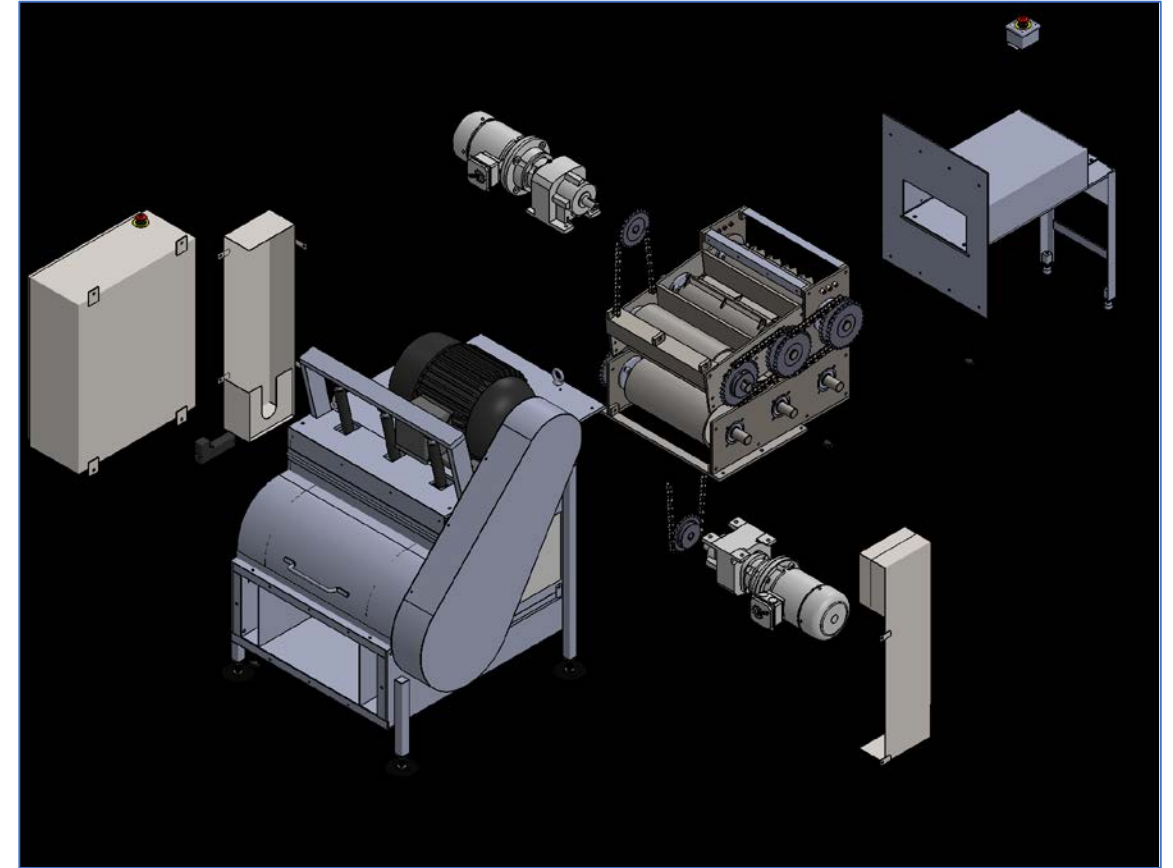
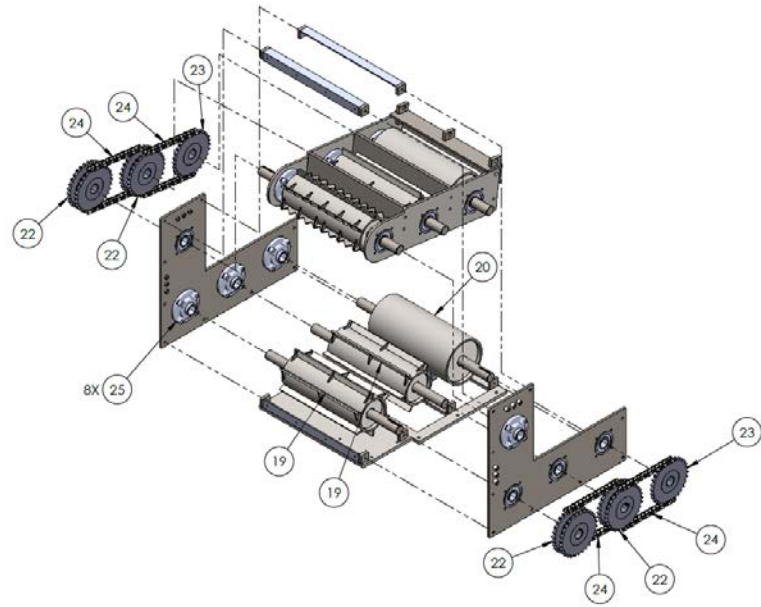
Powerful 30Hp Driving  
a High RPM Radial  
Cutter



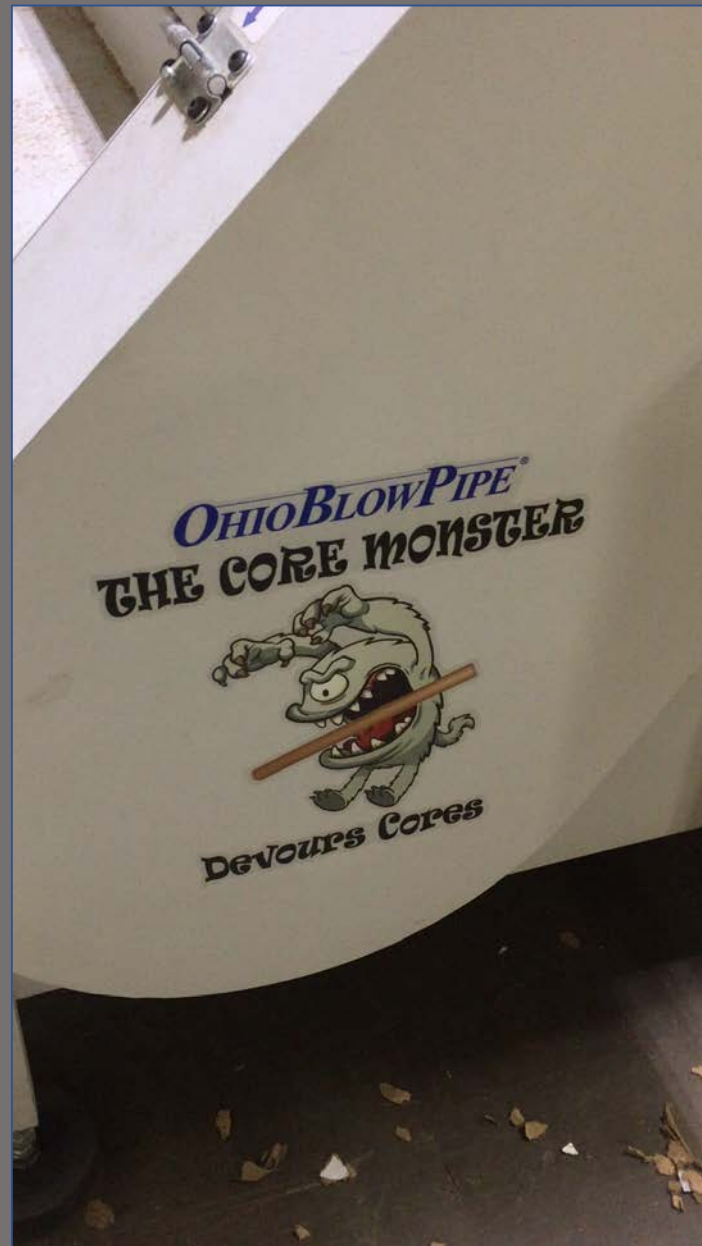
*OHIO BLOW PIPE*

# Spare Parts Easily Identified

Drawing Reference Number	PART NUMBER	PART NAME	QUANTITY
1	ASY-0012	INFEED GUARD ASSEMBLY	1
2	MTR-0018	5 HP GEARMOTOR	2
3	SPR-0016	SPROCKET ROLLER DRIVE MOTOR	2
4	CHN-0004	ROLLER CHAIN, #60, UPPER DRIVE MOTOR	1
5	CHN-0005	ROLLER CHAIN, #60, LOWER DRIVE MOTOR	1
6	SWH-0001	SOLENOID LOCKING SWITCH ASSEMBLY	1
7	SWH-0004	SWITCH, MAGNETIC SAFETY WITH CABLE	2
8	SWH-0006	SWITCH, MAGNETIC SAFETY ONLY MAGNET	2
9	CCS-00001	SWITCH, EMERGENCY STOP ASSEMBLY	1
10	ASY-0015	CUTTER HEAD ASSEMBLY W/CUTTER BAR	1
11	ASY-0020	CUTTER HEAD BOLT RETENTION PLATE (SET OF 2)	1
12	MTR-0016	30 HP MOTOR	1
13	BLT-0035	MOTOR DRIVE V-BELT	1
14	BUS-0003	BUSHING, MOTOR DRIVE	2
15	PUL-0001	PULLEY, MOTOR DRIVE	1
16	PUL-0002	PULLEY, CUTTER DRIVE	1
17	NGS-0002	AIR SHOCK	3
18	MNT-0002	VIBRATION DAMPENING FOOT LARGE	4
19	ASY-0017	ROLLER, FEEDER, PADDLE	3
20	ASY-0018	ROLLER, FEEDER, 7 OD SMOOTH	2
21	ASY-0016	ROLLER, FEEDER, TEETH	1
22	SPR-0019	SPROCKET, DOUBLE, 30T	4
23	SPR-0017	SPROCKET, SINGLE, 30T	2
24	CHN-0003	ROLLER CHAIN, #60, ROLLER DRIVE	4
25	BRG-0024	BEARING, ROLLER SHAFT	14
26	PLS-0004	PAD, LOADING INFEED GUARD	1
27	MNT-0003	VIBRATION DAMPENING FOOT SMALL	2
		CUTTER HEAD ASSEMBLY W/CUTTER BAR (SHARPENING)	
		PLUS PARTS AND FREIGHT	



**OHIO BLOW PIPE**



**OHIO BLOW PIPE**

# THE CORE MONSTER



**Devours Cores**

***OHIO BLOW PIPE***

***446 East 131<sup>st</sup> Street  
Cleveland, Ohio 44108***

***(216) 681-7379***

***sales@obpairsystems.com***